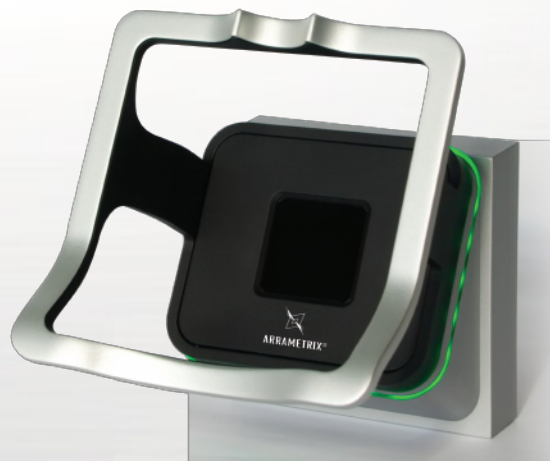




ARRAMETRIX®

Innovative Biometric Solutions For Convenience & Security

# THE SENSOBOX®



SensoBox® (non-contractual photo)  
Actual product may differ from the printed image

## ARRAMETRIX® presents one of their new products: "SensoBox®"

The SensoBox® is the new generation of powerful, secure and easy to use biometry vein reader:

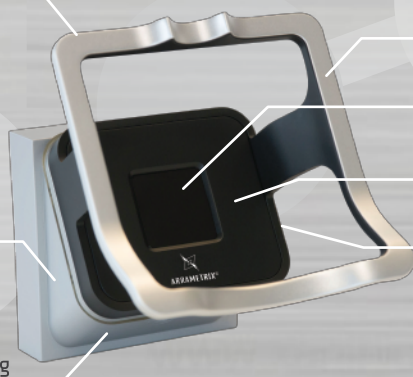
- ◇ Extremely reliable
- ◇ Small form factor, ready for wall built-in casings (Siedle, Weibel)
- ◇ Customizable to any corporate identity
- ◇ Very compact and bringing higher performance
- ◇ Able to read contactless badges
- ◇ Able to run in a full standalone mode
- ◇ Can be used in identifications for a wide range of applications
- ◇ Higher level of terminal's security is also a perfect choice for e-government applications

Connections:

- RJ45, POE
- Wiegand

Embedded powerful  
DUAL CORE processor inside

Small form factor built-in casing



Removable Hand Guide,  
intuitive position

Palm vein sensor

RFID antenna inside

Ring of RGB LEDs



SensoBox® with hand guide  
(non-contractual photo)  
Actual product may differ from the printed image

SensoBox® with hand guide  
(non-contractual photo)  
Actual product may differ from the printed image

# THE SENSOBOX<sup>®</sup>



ARRAMETRIX<sup>®</sup>

## Hardware Characteristics

**Color:** Black and Grey

**Dimensions:** Small form factor  
Ready for wall built-in casings

**Weight:** 295g

**Casing:** Robust plastic and aluminum casing with removable hand guide intuitive & modern design

**Installation:** Easy installation for electricians  
Compliant to different standard built-in casing:  
Weibel, Feller.  
Another form factor will be available for Siedle casing

**Embedded:** Very small electronic form factor  
Fan less

**Operating Condition:** 0°C - 55°C

**With or without Hand Guide for Wall Built-In Casing**

**Height:** 146.0 mm

**Total Height:** 207.7 mm

**Width:** 124.0 mm

**Length:** 159.1 mm

**Wall built-in depth:** 61.7 mm

## Technical Data:

### Features

- Able to operate in identification (1:2000)
- Able to operate in full standalone mode

### Connectivity

- RJ45 10/100 Mbps Ethernet with POE
- Wiegand OUT (6 to 128bits)

### Electrical Characteristics

- POE supply
- Low power consumption, 13W

### Embedded Processing

- Powerful low power Dual Core inside
- High speed low power DDR2 RAM
- 1GB system SLC NAND Flash
- (internal USD card slot)

### Biometry & Authentication

- Fujitsu Palm Vein sensor (FAR: 0.00008%, FRR : 0.01%)
- Able to operate in identification mode
- Able to process up to 1:N=2'000 templates embedded in less than 2s

### User Interface

- RGB LEDs (ring) with different colors for activity indication, state of device, operations and results
- Indications of errors: status and network error failures
- Buzzer

### Security

- Several levels of encryption combining asymmetric and symmetric encryptions mechanisms
- Embedded certificates
- SSL connections with remote authentication servers

### Operating Conditions & Characteristics

- 0°C - 55°C
- Fan less
- Total Weight: 295g

### Compliance & Certifications

- Fujitsu Palm Vein sensor certified EAL 2
- IP65 / FCC / CE / ROHS

### Document

This document is subject to modifications. ARRAMETRIX Corporation Ltd. keeps the rights to modify this document and the product characteristics.

The text, photos, logos, videos and other features presented on this present document are all protected by copyright held by Sensometrix SA & ARRAMETRIX Corporate Ltd. They shall not be used or reproduced either whole or in part, without our express permission. The properties, prices and other data presented on this present document are for information only; their accuracy is not guaranteed. They may be subject to change at any time and do not under any circumstances represent a contractual offer or engagement. Sensometrix, Logo, Tango, SensoBrain, SensoBox and SensoSphere and ARRAMETRIX, logo are the trademarks or registered trademarks of Sensometrix SA & ARRAMETRIX Corporation Ltd. respectively. Copyrights Sensometrix & ARRAMETRIX. All rights reserved. May 2014, v.1.

ARRAMETRIX CORPORATION LIMITED - Unit C, 18/F., Tung Chiu Commercial Centre, 193 Lockhart Road, Wanchai, Hong Kong - Tel +852 2116 2758 - Fax +852 8169 0169

info@arrametrix.com // // // // // www.arrametrix.com

## With Hand Guide for Wall Built-In Casing

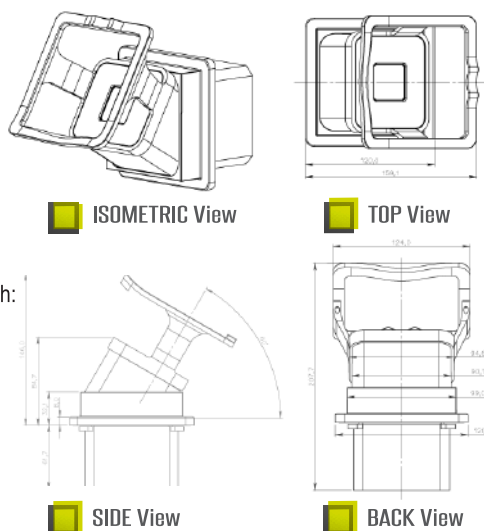
**Height:**  
146.0 mm

**Total Height:**  
207.7 mm

**Width:**  
124.0 mm

**Length:**  
159.1 mm

**Wall built-in depth:**  
61.7 mm



## With Hand Guide for Wall SIEDLE Casing

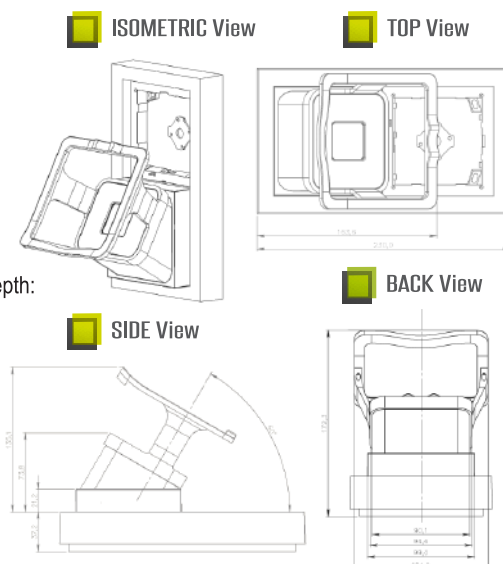
**Height:**  
135.1 mm

**Total Height:**  
172.3 mm

**Width:**  
124.0 mm

**Length:**  
163.6 mm

**Wall built-in depth:**  
37.2 mm



Innovative Biometric Solutions For Convenience & Security